

YSH

초고속 중공슬림형 실린더

SUPER HIGH SPEED BIG BORE HYDRAULIC CYLINDER
超高速中空スリム型シリンダー / 超大通孔油缸



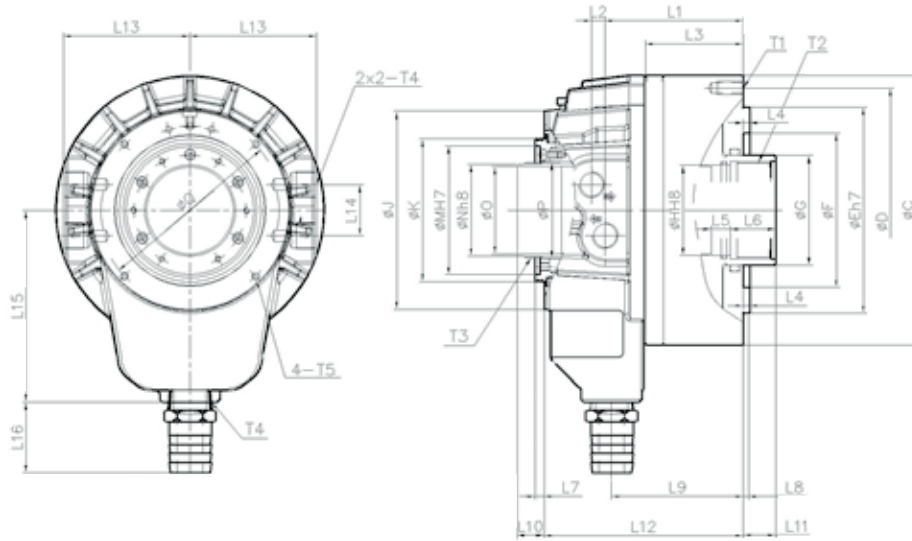
- 호환성 실현 · 소형화 경량화 · 안전 확보
- 누유방지 설계(특허등록0172805) · 동급 최대 추력
- Compatibility · Small Size & Light Weight · Safety Guaranteed
- Leakage Prevention Design · Highest Draw Pull
- 互換性実現 · 小型化, 軽量化 · 安全確保
- 漏油防止設計(特許登録) · 同クラス最大推力
- 实现兼容性 · 体积小, 重量轻 · 保障安全
- 防泄漏设计(专利注册:0172805) · 动力强大

※ 허용 최고 회전속도는 실측치에 준함
※ Maximum turning speed is based on actual measurement

Specifications / 规格 / 仕様表 / 사양표

Spec.사양 Model형식	Order NO. 오더번호	Cylinder Dia 실린더내경 mm	Piston stroke 피스톤스โตร크 mm	Thru hole Dia 실린더관통경 mm	Piston surface area 피스톤 단면적 cm ²		Max. Draw bar pull 실린더 추력 KN(kgf)	
					Push인측	Pull인측	Push인측	Pull인측
YSH-05	2SH05	105	15	36	67.15	64.47	25(2549)	24(2447)
YSH-06	2SH06	130	16	46	107.29	95.53	39(4025)	35(3586)
YSH-08	2SH08	156	22	52	159.77	148.62	57.6(5879)	53.6(5469)
YSH-10	2SH10	185	25	77	209	193.9	77.9(7944)	72.1(7357)
YSH-15	2SH15	250	23	117.5	364.4	331.8	129.8(13233.4)	118.2(12050)
YSH-21	2SH21	280	35	166.5	372.1	327.1	111.5(11376)	98(10002)
YSH-32	2SH32	390	35	240	683	643	101.4(10245)	95.4(9645)

Spec.사양 Model형식	Max. operating pressure 최고사용유압력 Mpa(kgf/cm ²)	Max. permissible speed 최고사용회전수 r.p.m.(min ⁻¹)	Total leakage 총드레인량 ℓ/min	Weight 중량 kg	GD ² Moment of inertia N·m ² (kgf·m ²)	Matching chuck 적용척
YSH-06	40.8	7000	3	9.5	0.20(0.021)	CAH-06
YSH-08	40.8	6200	3.9	13.5	0.39(0.040)	CAH-08
YSH-10	40.8	5000	4.2	16.8	0.81(0.083)	CAH-10
YSH-15	40.8	3000	7	52	18.6(1.9)	CAH-15, 18, 21, 24
YSH-21	33.6	2000	8.4	74	29.43(3)	CAH-21, 24
YSH-32	25	1500	18	130	39.2(4)	CAH-32



Dimension/尺寸/寸法表/치수표

Item항목 Model형식	C	D	E	F	G	H	J	K	M	N	O	P	Q
YSH-05	137	115	100	65	48	38	108	76	64	42	36	45	98
YSH-06	165	130	100	80	65	50	108	82.5	74	50	46	53	98
YSH-08	190	170	40	90	70	55	126	90	81	56	52	60	113
YSH-10	222	190	160	120	95	80	164	121	110	81	77	85	155
YSH-15	307	275	230	170	140	123	216	167	152	122	117.5	125	198
YSH-21	354	290	260	240	190	170	278	217	205	170.5	166.5	175	256
YSH-32	454	420	320	280	265	243	358	297	285	250.5	240	255	330

Item항목 Model형식	L1	L2	L3	L4	L5	L6	L7	L8	L9	L10 max	L10 min	L11 max	L11 min
YSH-05	94.2	8.9	69	6	15	25	7	5	99.5	36	21	15	0
YSH-06	97.3	7.4	72.5	6	15	30	7	5	102	37	21	16	0
YSH-08	100.1	8.9	74	6	15	30	7	5	105.2	43	21	22	0
YSH-10	115.2	12.7	86	5	15	35	7	5	112.5	46	21	25	0
YSH-15	141.5	18.5	102	6	20	45	9.85	6	163	46.3	23.3	24	1
YSH-21	166.5	18.5	123	7	20	45	9.85	5	184	60.3	25.3	35	0
YSH-32	170	18.5	122	5	20	45	9.85	5	197	60	25	35	

Item항목 Model형식	L12	L13	L14	L15	L16	T1	T2	T3	T4	T5
YSH-05	134.1	66.5	34	115	55	6-M10X18	M42XP1.5	M44XP1.5	PT-3/8	4-M5X10
YSH-06	135.6	78	42	120	55	6-M10X18	M55XP1.5	M52XP1.5	PT-1/2	4-M5X10
YSH-08	138.5	86	40	130	55	6-M10X18	M60XP1.5	M58XP1.5	PT-1/2	4-M5X10
YSH-10	155	88	40	149	55	6-M10X18	M85XP2.0	M84XP2.0	PT-1/2	4-M5X10
YSH-15	241	140	40	215	50	12-M16X32	M130XP2.0	M124XP2.0	PT-1/2	4-M6X10
YSH-21	259.5	172.6	40	250	55	12-M16X32	M124XP2.0	M173XP2.0	PT-1/2	4-M6X10
YSH-32	277	214	40	332	58	12-M16X40	M250XP3.0	M253XP2.0	PT-1/2	6-M6X10

※ 치수 및 사양은 예고없이 변경될 수 있습니다.
 ※ Specifications are subject to change without notice.