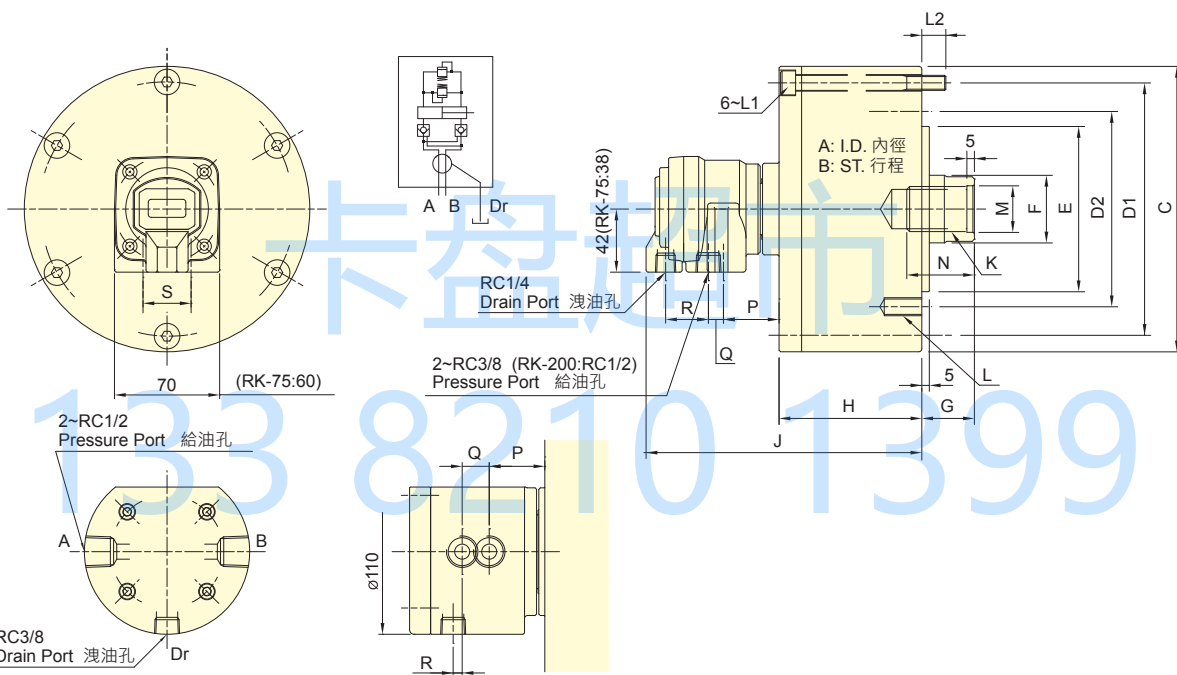


- 短型，高速，輕量型迴轉油壓缸。
- 內建逆止閥自鎖機構及壓力洩壓閥。
- 安裝時可由後端鎖固之。
- For short form, light weight and high speed rotary cylinder.
- Built-in safety check valves and pressure relief valves.
- Can screw it from the rear end of the cylinder when mounting.
- 洩油孔配管務必單獨接回油壓槽，以避免產生背壓。
- The drain port should be independently connected to oil tank to avoid back pressure.



保留規格修改的權利
Subject to technical changes

RK-250

技術規格 SPECIFICATIONS

| 型號 Model | 活塞面積 Eff. piston area | | 行程 Piston stroke | 最高迴轉數 Max. speed | 最高使用壓力 Max. pressure | I Moment of inertia | 重量 Weight |
|-------------|--------------------------------|---------------------------------|---------------------|---------------------|-------------------------|------------------------|--------------|
| | 伸側 (Extend) cm ² | 拉側 (Retract) cm ² | | | | | |
| RK-75 | 44.2 | 37.1 | 15 | 6000 | 4.0 (40) | 0.01 | 2.9 |
| RK-100 | 78.5 | 71.5 | 20 | 6000 | 4.0 (40) | 0.03 | 4.4 |
| RK-125 | 122.7 | 113.1 | 25 | 6000 | 4.0 (40) | 0.05 | 6.9 |
| RK-150 | 176.7 | 160.8 | 30 | 5500 | 4.0 (40) | 0.09 | 9.5 |
| RK-200 | 314.1 | 290.4 | 35 | 5500 | 4.0 (40) | 0.28 | 15.4 |
| RK-250 | 469.1 | 436.0 | 60 | 2000 | 5.0(50) | 0.40 | 45.2 |

外型尺寸 DIMENSIONS

| Model | A | B | C | D1 | D2 | E (h7) | F | G max. | G min. | H | J | K | L | L1 | L2 | M (H8) | N | P | Q | R | S |
|--------|-----|----|-----|-----|-----|--------|----|--------|--------|-----|-----|---------|-----------|---------|----|--------|----|------|----|------|----|
| RK-75 | 75 | 15 | 107 | 90 | 90 | 65 | 30 | 45 | 30 | 57 | 148 | M20x2.5 | 6-M8x16 | M8x60 | 12 | 21 | 35 | 41.5 | 10 | 27.5 | 26 |
| RK-100 | 100 | 20 | 132 | 115 | 100 | 80 | 30 | 45 | 25 | 72 | 163 | M20x2.5 | 6-M10x20 | M8x75 | 12 | 21 | 35 | 39.5 | 10 | 28.5 | 32 |
| RK-125 | 125 | 25 | 160 | 140 | 130 | 110 | 35 | 50 | 25 | 82 | 172 | M24x3.0 | 6-M12x20 | M8x85 | 12 | 25 | 45 | 38.5 | 10 | 28.5 | 32 |
| RK-150 | 150 | 30 | 190 | 170 | 130 | 110 | 45 | 55 | 25 | 95 | 184 | M30x3.5 | 12-M12x24 | M10x100 | 16 | 32 | 45 | 37 | 10 | 28.5 | 32 |
| RK-200 | 200 | 35 | 245 | 220 | 145 | 120 | 55 | 70 | 35 | 115 | 201 | M36x4.0 | 12-M16x30 | M10x125 | 21 | 38 | 60 | 38 | 6 | 28.5 | 28 |
| RK-250 | 245 | 60 | 307 | 275 | 220 | 160 | 65 | 85 | 25 | 165 | 255 | M42x3.0 | 12-M20x35 | M16x175 | 28 | 45 | 65 | 33 | 18 | 6 | - |

空油壓迴轉缸